

Industrial Vibrating Screening & Sieving machine

DINGCOMA

Dingcoma Machinery

Web: www.dingcoma.com

The Company

Dingcoma Corporation with almost 30 years of nonstop innovation and professional separating technology and experience, Dingcoma machinery is a sieving solution provider that has improving customers' product quality and production efficiency by manufacturing and supplying high quality separator and filter.

We have R&D Production Department ,Quality Control Department, and Sales & Service Department. Our products are widely used in food-beverage, pharmaceuticals, coatings, metal powders, construction, chemicals, mining & minerals, ceramics, flour and so on. Our products have got CE and ISO certificate.



VIBRATORY SIEVING MACHINE

Sieving Diameter

Ø 600mm – 2000mm

Screens Layer

Up to 5 screens layer

Motor Power

0.18Kw-2.2Kw

Industrial sectors

All industrial sectors

Applications

Powder Liquid and Solid Separations



TECHNICAL DESCRIPTION

The vibration is develop in both the horizontal and in the vertical plane and can be adjusted in both directions

Vibration is accomplished by eccentric weights positioned on fly wheels on the upper and lower ends of the motion generator shaft.

The upper fly wheel creates vibration in the horizontal plane, which moves the material from the center to the outer perimeter of the screen. The lower fly wheel creates vibration in the vertical as well as tangential plane producing a highly efficient sieving action.

Adjusting the counterweights on the fly wheel is rapid and tool free. This adjustment allows modifying the vibration pattern to find the best sieving action for a particular product.

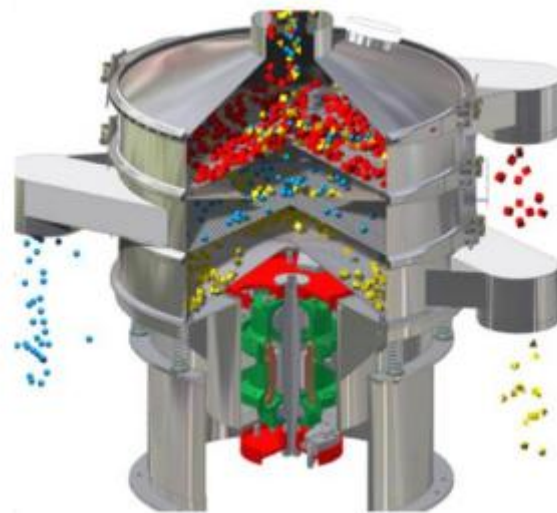
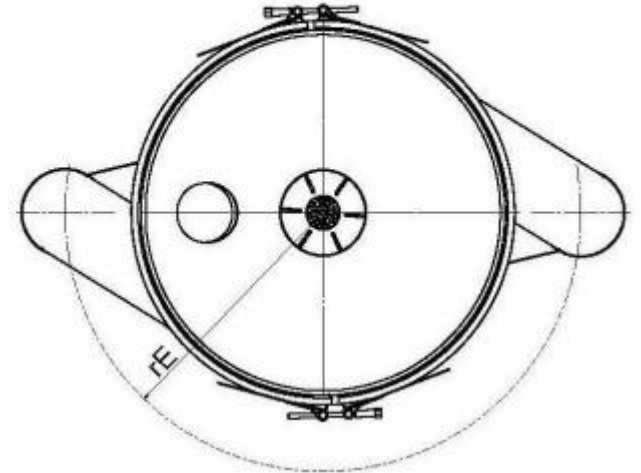
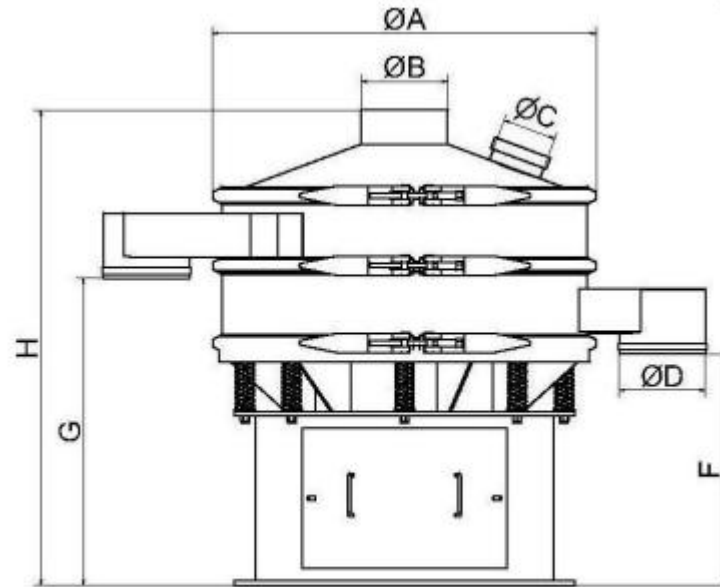
The vibratory sieves can be modified and adapted to suit a wide variety of customer requirements.

Screens are easy and fast to change and can be equipped with various cleaning system as balls, and ultrasonic system.

Ease of operation Quick Release Clamping - Pull down clamping the system.

The separator is available constructed of carbon steel, stainless steel 304 or stainless steel 316.

Certificate:CE certification ,ISO certification and GMP avaiable



| MOD | A | B | C | D | E | F | H | I |
|-------|------|------|-----|------|-----|-----|------|-----|
| Ø600 | 530 | 430 | 246 | 600 | 100 | 70 | 391 | 415 |
| Ø800 | 680 | 580 | 246 | 800 | 125 | 80 | 514 | 430 |
| Ø1000 | 800 | 700 | 246 | 1000 | 150 | 95 | 615 | 430 |
| Ø1200 | 975 | 855 | 400 | 1200 | 180 | 100 | 717 | 550 |
| Ø1500 | 1190 | 1050 | 400 | 1500 | 180 | 116 | 866 | 545 |
| Ø1800 | 1580 | 1440 | 400 | 1800 | 200 | 150 | 1070 | 675 |
| Ø2000 | 1800 | 1640 | 400 | 2000 | 200 | 190 | 1210 | 685 |